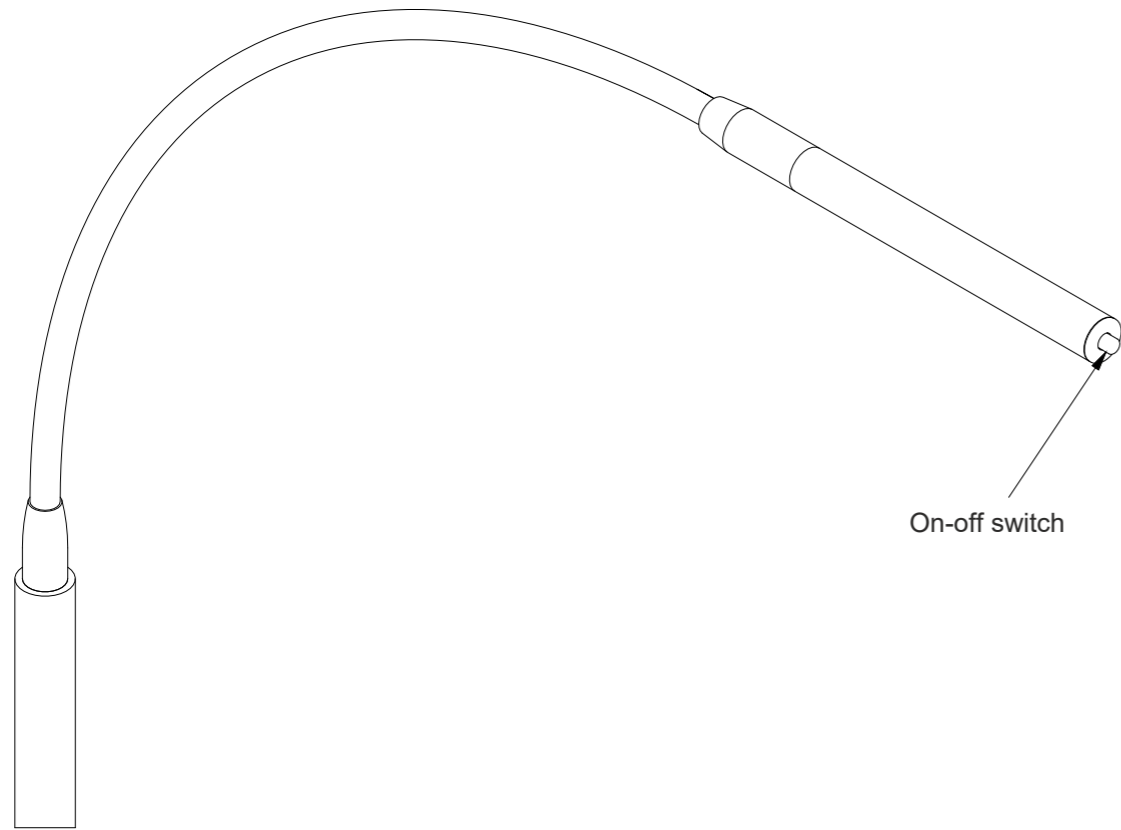


**Step 5:** The light is equipped with a switch on the end of the lamp head.



# ASSEMBLY INSTRUCTIONS

LED reading light

Finesse boxsprings



## IMPORTANT SAFETY INSTRUCTIONS

Only use the light indoors. The cords, light fitting, power supply and other parts must be checked regularly for damage. Where damage has occurred, the product cannot be used.

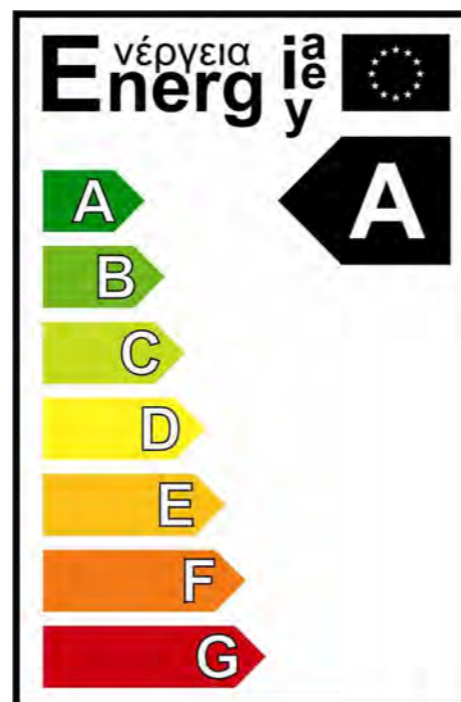
Important information! Keep these instructions for future reference.

Warning! The light source of this product consists of non-replaceable light bulbs (LED).

The product must not be dismantled.

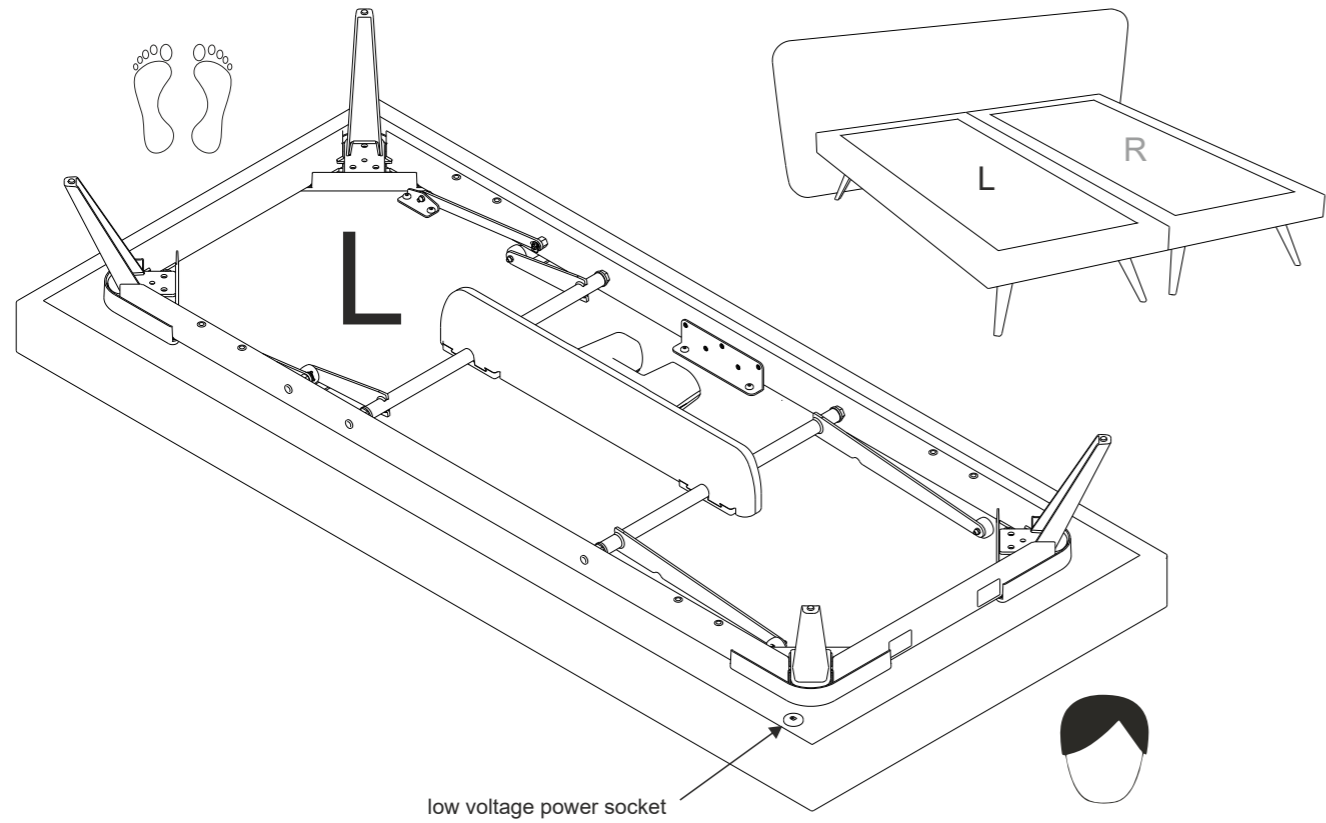
Do not bring into contact with water.

Cleaning: use a damp cloth. Avoid the use of strong detergents.



Bedding Group

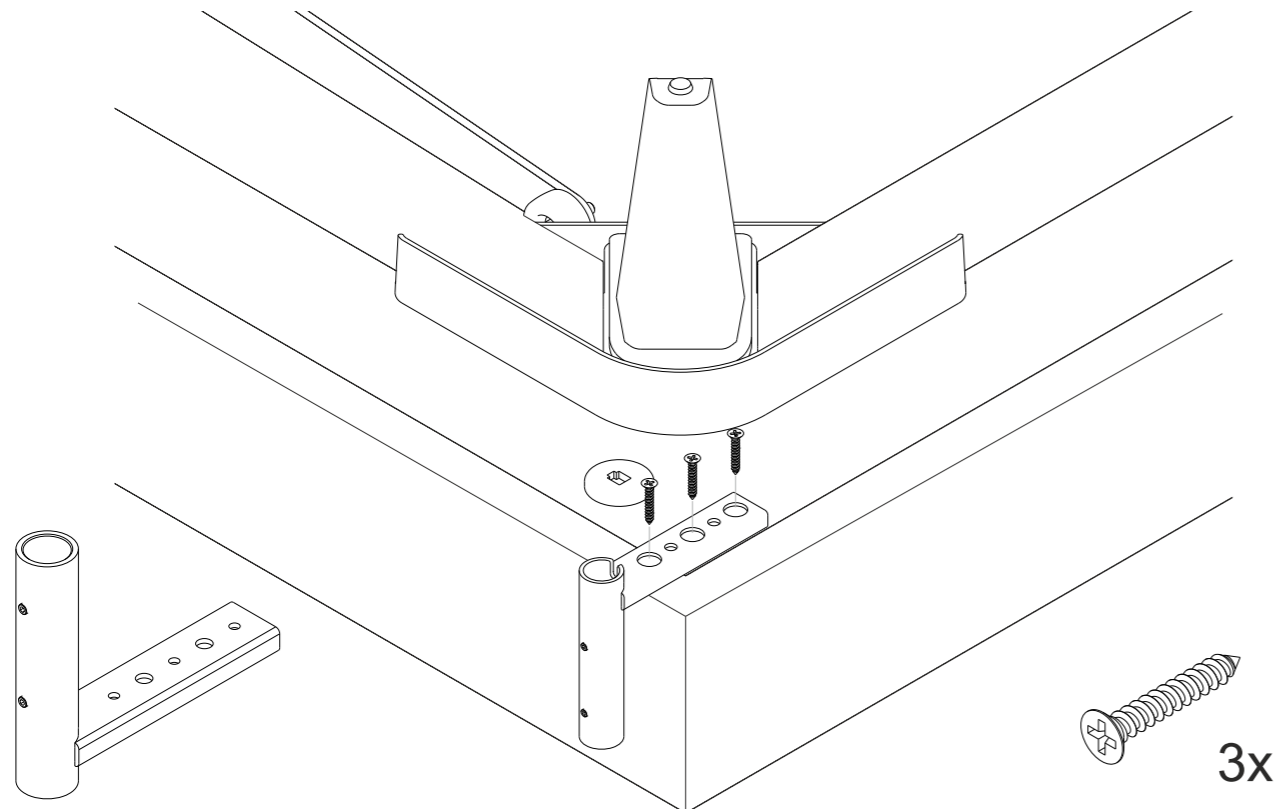
**Step 1:** Assemble the boxsprings according to the specific instructions. Identify the left and right halves of the bed. Locate the low voltage power socket at the bottom of the boxspring. These instructions show the installation for the left half of the bed.



**Step 3:** Turn the boxspring upside down and slide the LED reading light in the holder. Secure the reading light with the 2 Allen screws.



**Step 2:** Screw on the LED reading light's holder as shown in the image below.



**Step 4:** Put the LED reading light's plug in the low voltage socket. Secure the cable with the supplied straps.

